

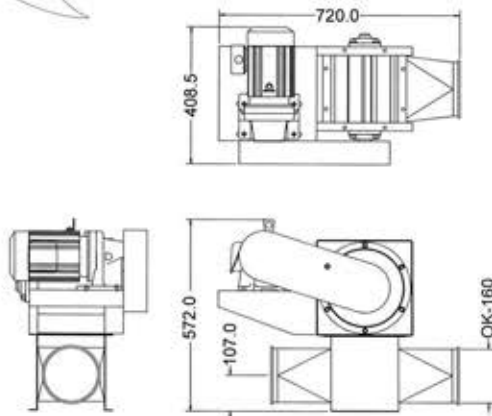


# Technical Specification

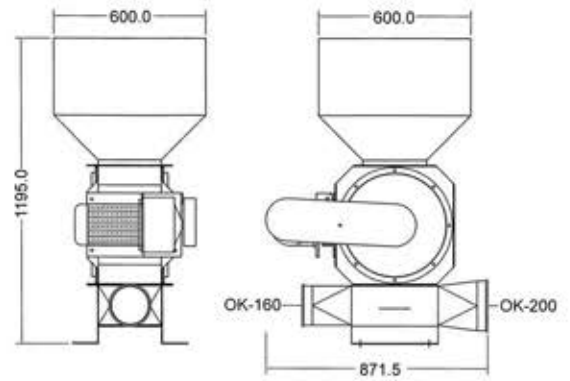
## Rotary Valve

Model: RV-20 / RV-40-25 / RV-40-35 / RV-40-45

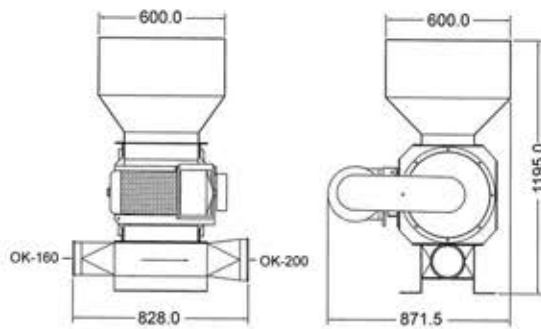
RV-20



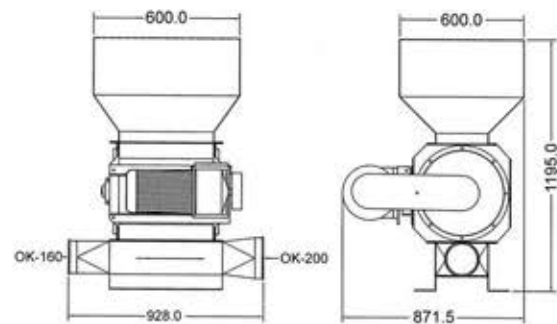
RV-40-25



RV-40-35



RV-40-45



Model	Power Requirement	Speed (RPM)	Dimension(MM) (L x W x H)
RV-20	0.75 KW	69	720 x 409 x 572
RV-40-25	1.5 KW	41	872 x 600 x 1195
RV-40-35	2.25 KW	41	828 x 872 x 1195
RV-40-45	2.25 KW	41	928 x 872 x 1195



ISO 9001 : 2015  
Approval No : 0048394